

Specifications

Lighting specifications

Light source	LED 8 - 16 High Power LED
Gross Luminous Flux	Max. 5.500 lm
Net Luminous Flux	Max. 4.950 lm
Color Temperature (CCT)	3000 / 4000 kelvin
Color Rendering Index (CRI)	Ra ≥ 70, Ra ≥ 80
Optical Technique	Direct Lens System

Electrical specifications

Appliance class	Class I / II
System power	14 - 40 W
Power factor	cos phi > 0,90 @ full load (100%)
Operating Voltage	220-240 V AC, 50/60 Hz
Driver	Philips Xitanium / Inventronics
Dimming options	1-10V dimmer / DALI-interface / Zhaga / NEMA

Usage and Installation

Operating Temp.	-20°C - +40°C
Lifespan	100.000 hours / L90 @ Ta=25°C (TM-21/LM-80)
Mounting size	48 mm (adapter) / 60 mm / 76 mm (adapter)

Physical details

Material	Aluminum
Material Cover	Impact-resistant clear polycarbonate
Housing Colour	RAL 7015 / 7022 Mat / Custom
Weight	6,8 kg

Protection

Impact Resistance	IK10
Ingress Protection	IP66
Coating Class	C3 / C4

Quality and Certification

CE / ENEC / ZD4i

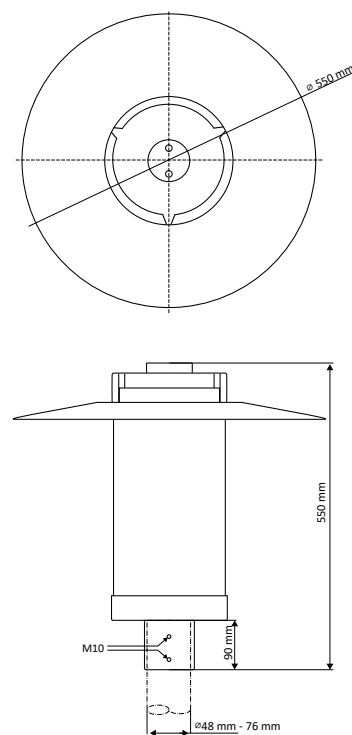
Country of origin

The Netherlands

Revision date

26/01/2022

Dimensions



Smart Systems

