



Specifications

Lighting specifications

Light source	8-32 x High power LED
Gross Luminous Flux	Max. 7.500 lm
Net Luminous Flux	Max. 5.800 lm
Colour Temperature (CCT)	3000 / 4000 kelvin
Colour Rendering Index (CRI)	Ra ≥ 70 / Ra ≥ 80
Optical Technique	Direct Lens System

Electrical specifications

Appliance class	Class I / II / III
System power	Max. 50 W
Power factor	cos phi > 0,95 @ full load (100%)
Operating Voltage	220-240 V AC, 50/60 Hz
Driver	Philips Xitanium / Osram / Inventronics
Dimming options	1-10 V / DALI / DALI 2.0 / Line Switch / CLO / other upon request

Usage and Installation

Operating Temp.	-20 - +50°C
Lifespan	100.000 hours / L95B10 @ Ta=30°C
Mounting size	48 mm (adapter) / 60 mm / 76 mm
Tilting angles	-

Physical details

Material	Aluminium
Material Cover	Impact-resistant clear/frosted polycarbonate
Housing Colour	RAL 9007 / Other colours upon request
Weight	8 kg

Protection

Impact Resistance	IK10
Ingress Protection	IP66
Coating Class	C3 / C4

Quality and Certification

CE / *ENEC / *ENEC+ / *ZD4i

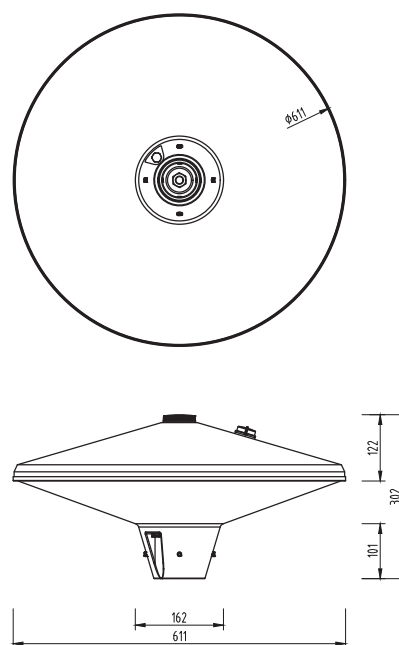
Country of origin

The Netherlands

Revision date

07/03/2023

Dimensions



Smart Systems

