

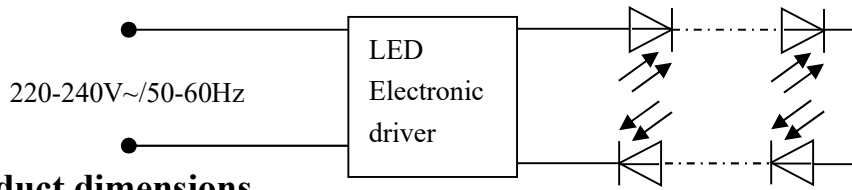
## LW-UVO Universal STREET LIGHTING

### Mounting instruction

Product name	LED	Wattage	V/Hz	CCT
Universal-XX-X-16 (16pcs 18W)	16	18	220-240V~; 50-60Hz	WW NW CW
Universal-XX-X-16 (16pcs 27W)		27		
Universal-XX-X-16 (16pcs 35W)		35		
Universal-XX-X-24 (24pcs 27W)	24	27		
Universal-XX-X-24 (24pcs 40W)		40		
Universal-XX-X-24 (24pcs 53W)		53		
Universal-XX-X-32 (32pcs 35W)	32	35		
Universal-XX-X-32 (32pcs 55W)		55		
Universal-XX-X-32 (32pcs 70W)		70		
Universal-XX-X-48 (48pcs 55W)	48	55		
Universal-XX-X-48 (48pcs 80W)		80		
Universal-XX-X-48 (48pcs 110W)		110		
Universal-XX-X-64 (64pcs 70W)	64	70		
Universal-XX-X-64 (64pcs 105W)		105		
Universal-XX-X-64 (64pcs 140W)		140		
Universal-XX-X-72 (72pcs 80W)	72	80		
Universal-XX-X-72 (72pcs 120W)		120		
Universal-XX-X-72 (72pcs 150W)		150		

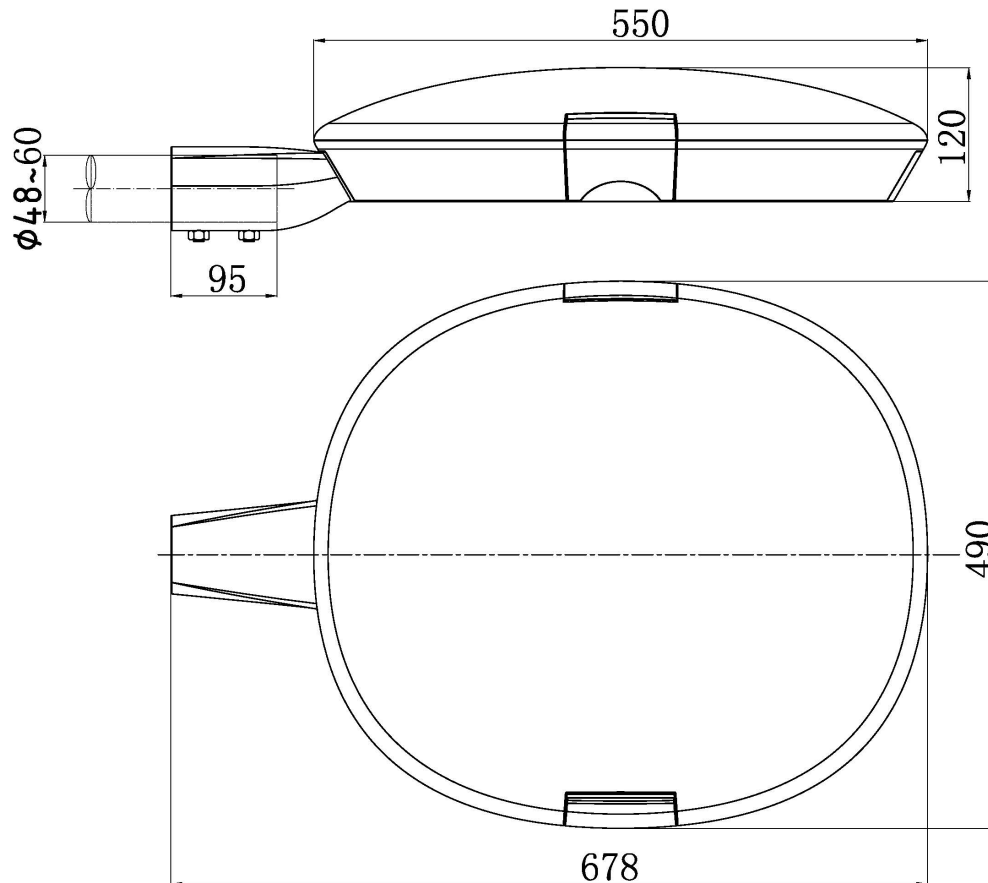
**GB IEC ta IP66 CE**  
  
 7000 60598 40°C

**Electrical schematic**



**Product dimensions**

**Type A**

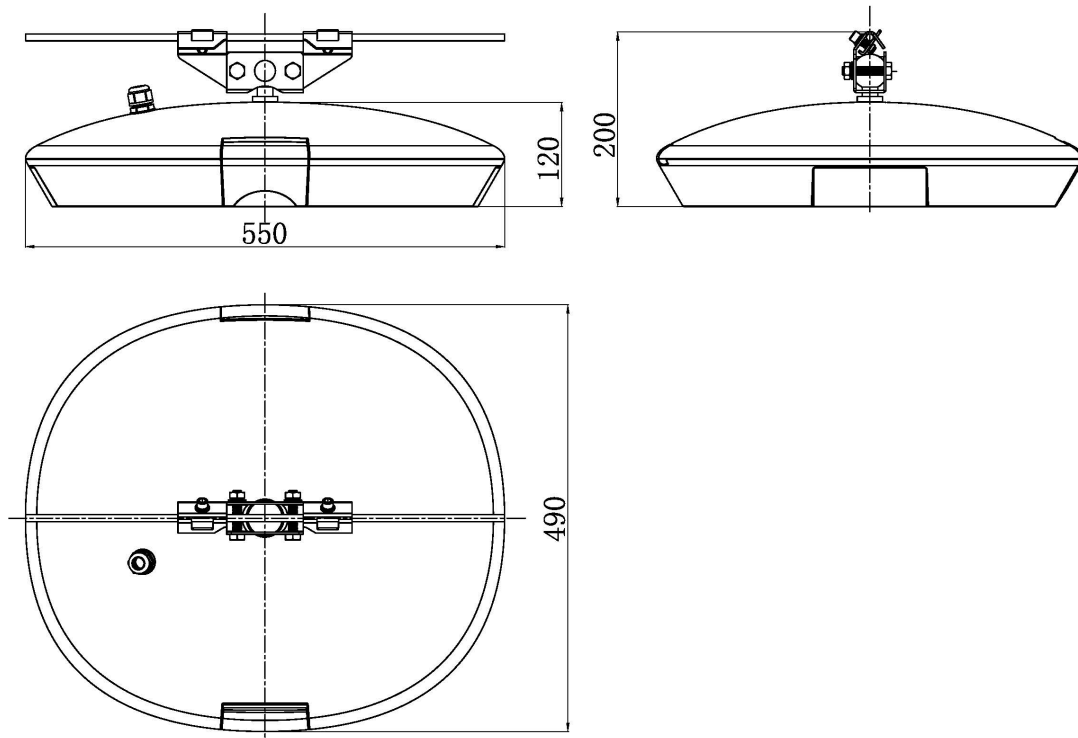


**The max mounting height:13M**

**Weight:10.5Kg**

**Maximum projected area:0.24m<sup>2</sup>**

**Type B**



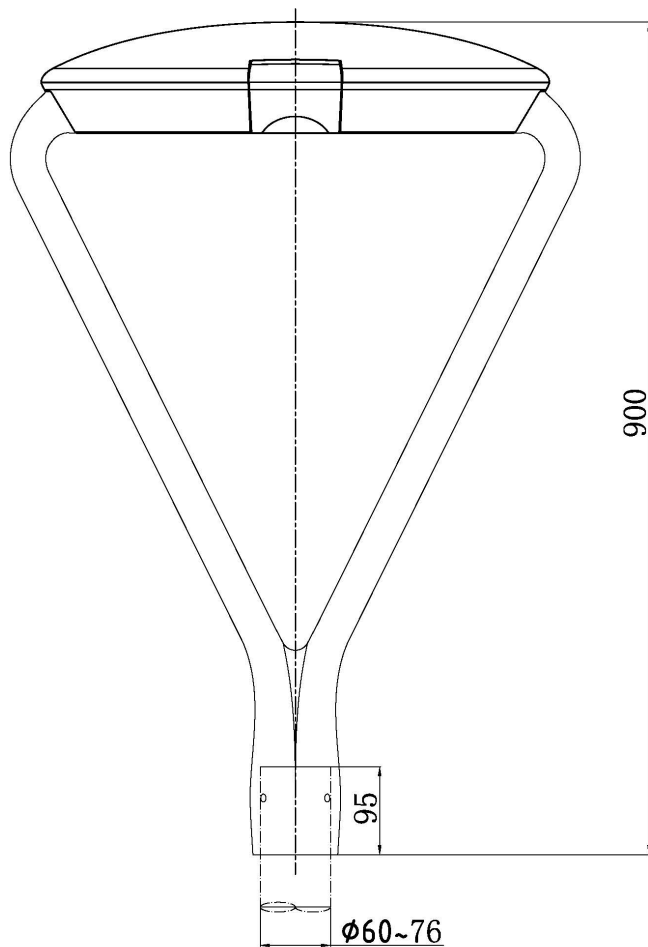
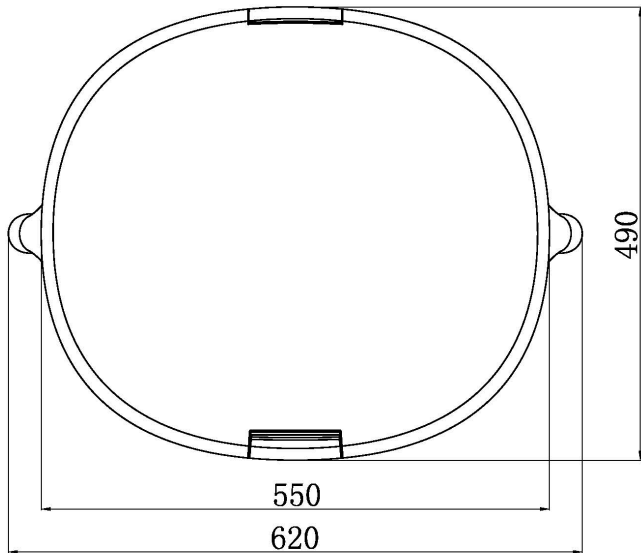
**The max mounting height:13M**

**Weight:10.5Kg**

**Maximum projected area: 0.22m<sup>2</sup>**

**The diameter of stretched cable to fixing the luminaire: 6~12mm**

**Type C**

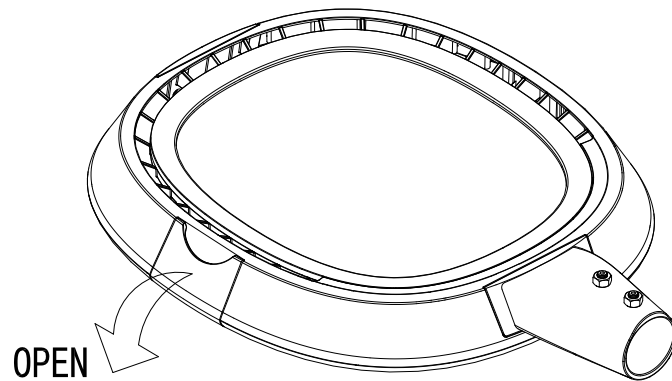


**The max mounting height:4M**

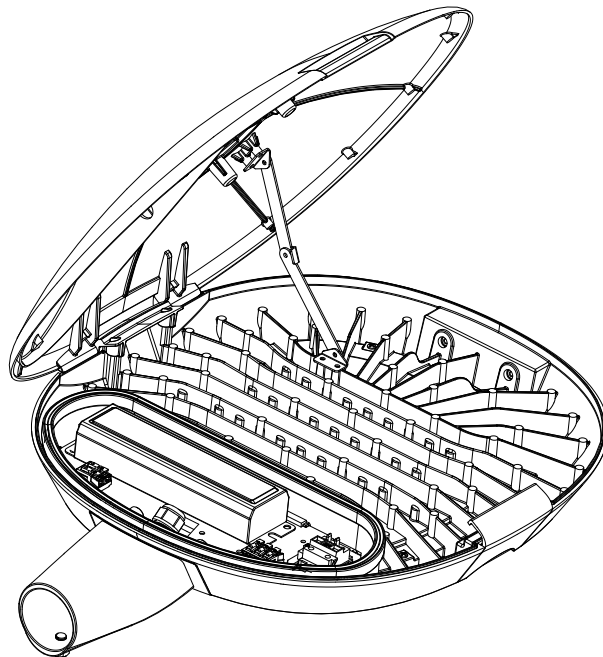
**Weight:15Kg**

**Mounting instruction**

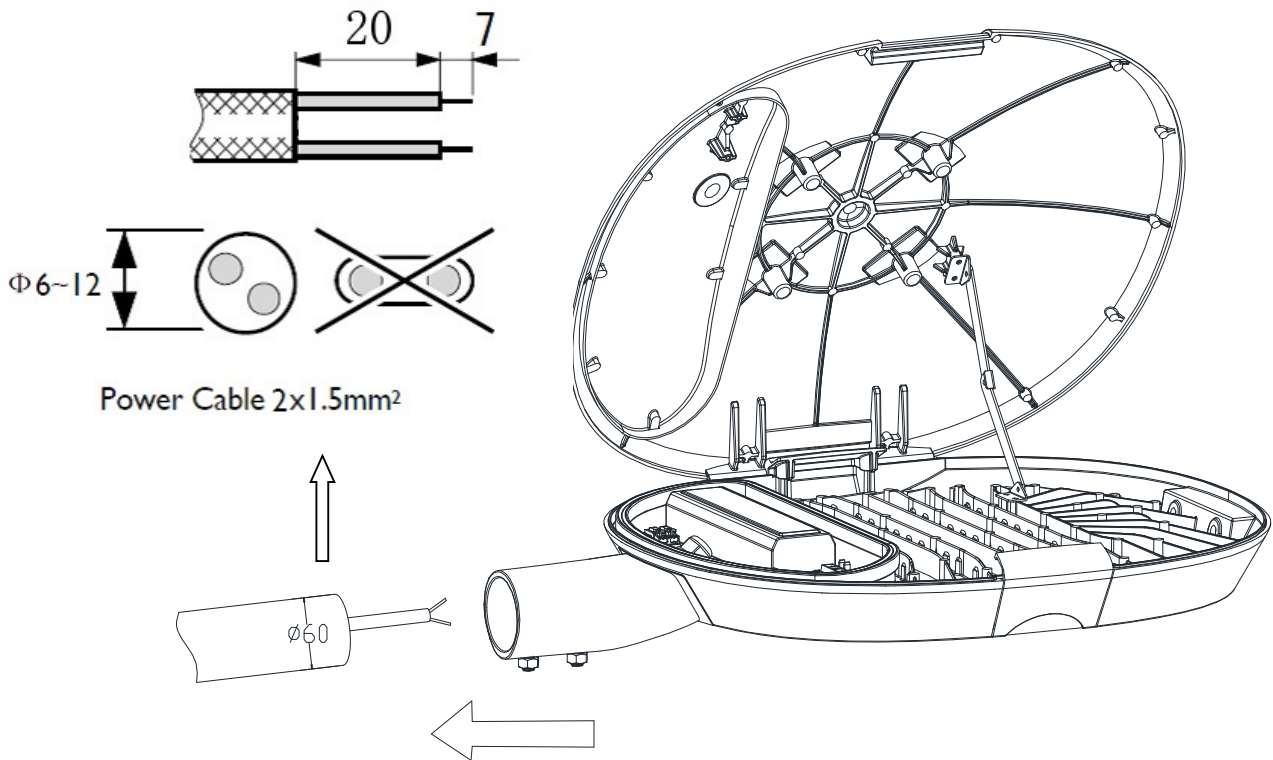
**Type A**



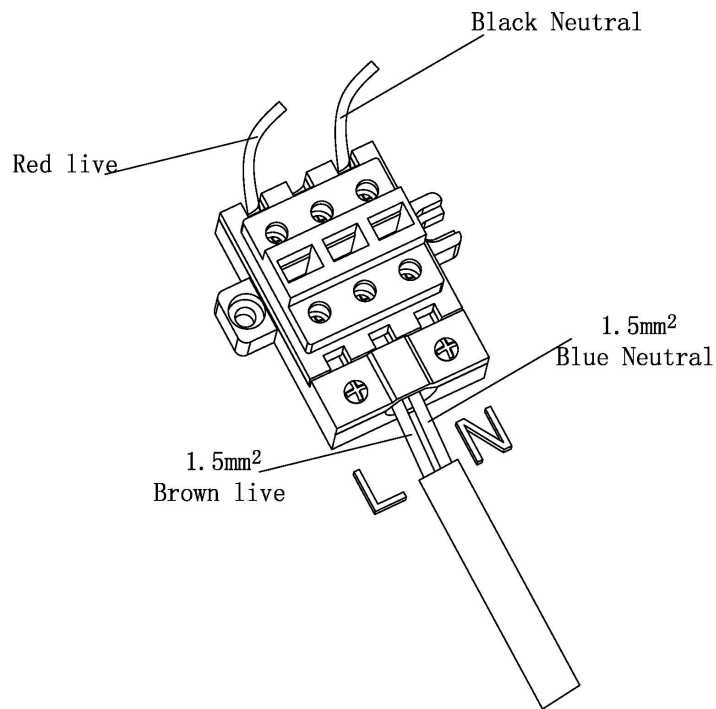
**Fig.1 Open the lock.**



**Fig.2 Hold up the top cover.**

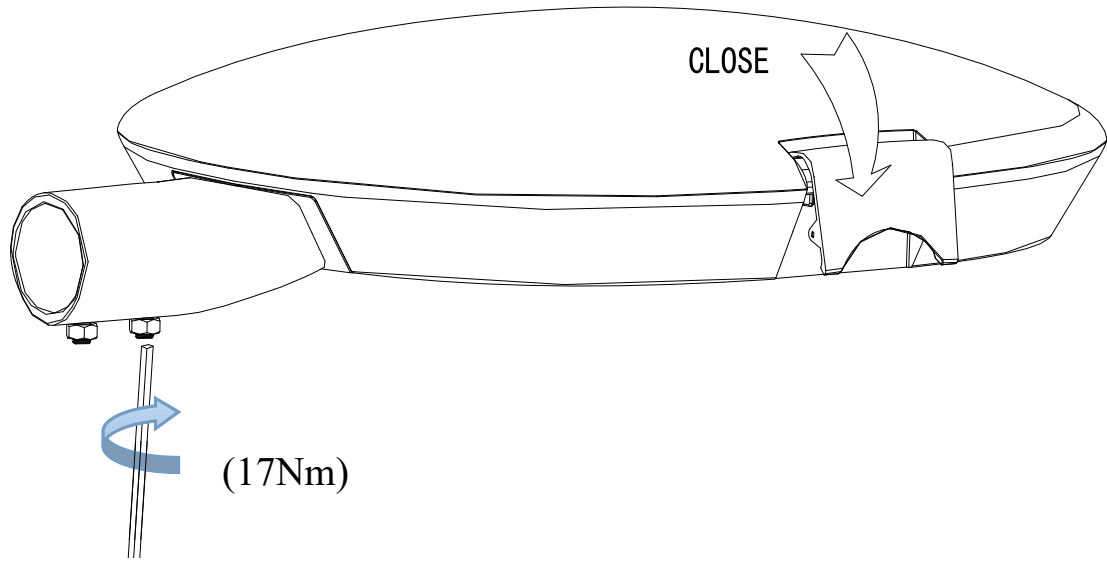


**Fig. 3 Insert into the pole (outside diameter: 60mm).**



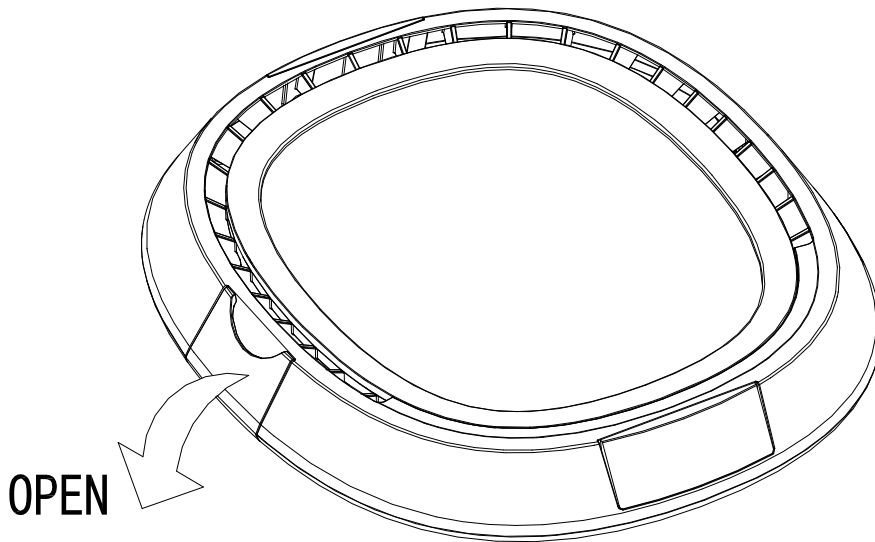
**Attention: The input cable should meet the requirement of 60245 IEC 57.**

**Fig. 4 Connect the wire.**

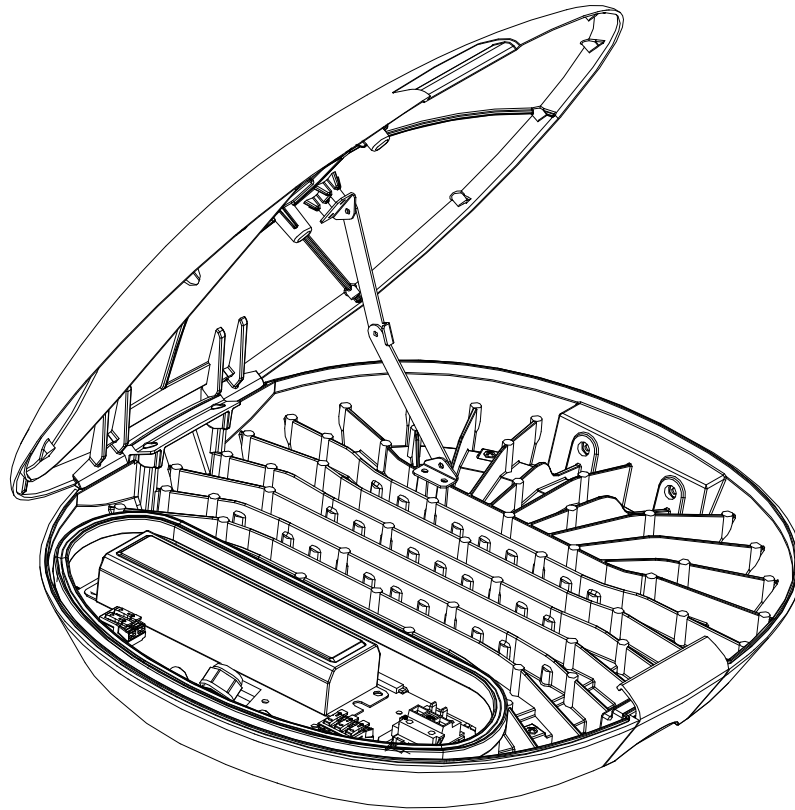


**Fig. 5 Close the lock and screw nuts.**

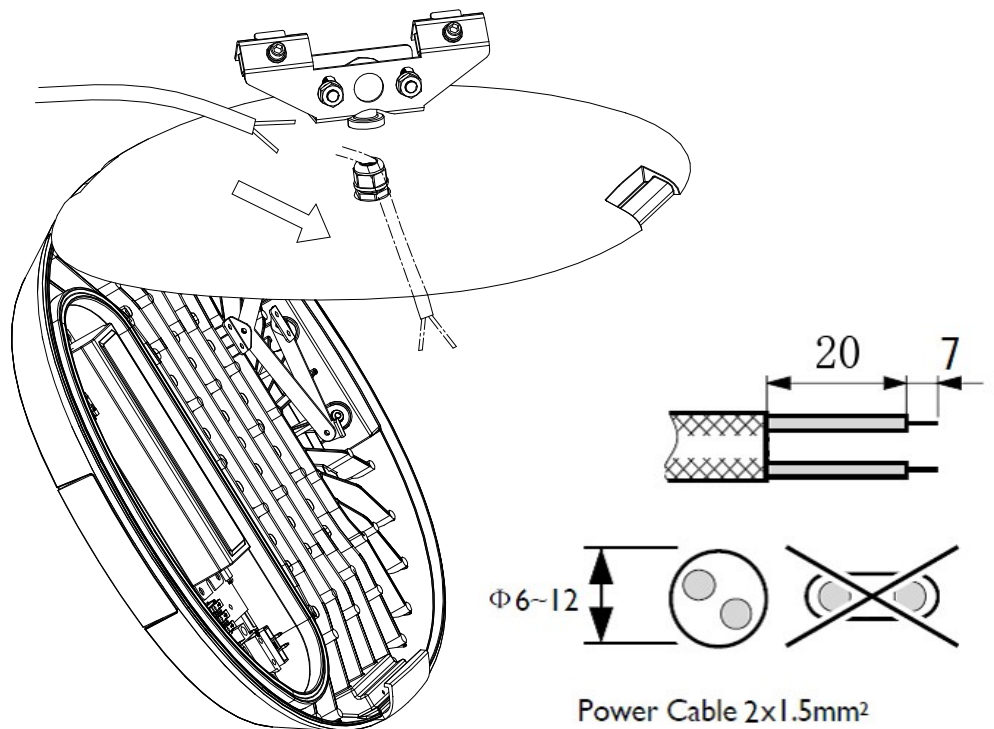
**Type B**



**Fig.6 Open the lock.**

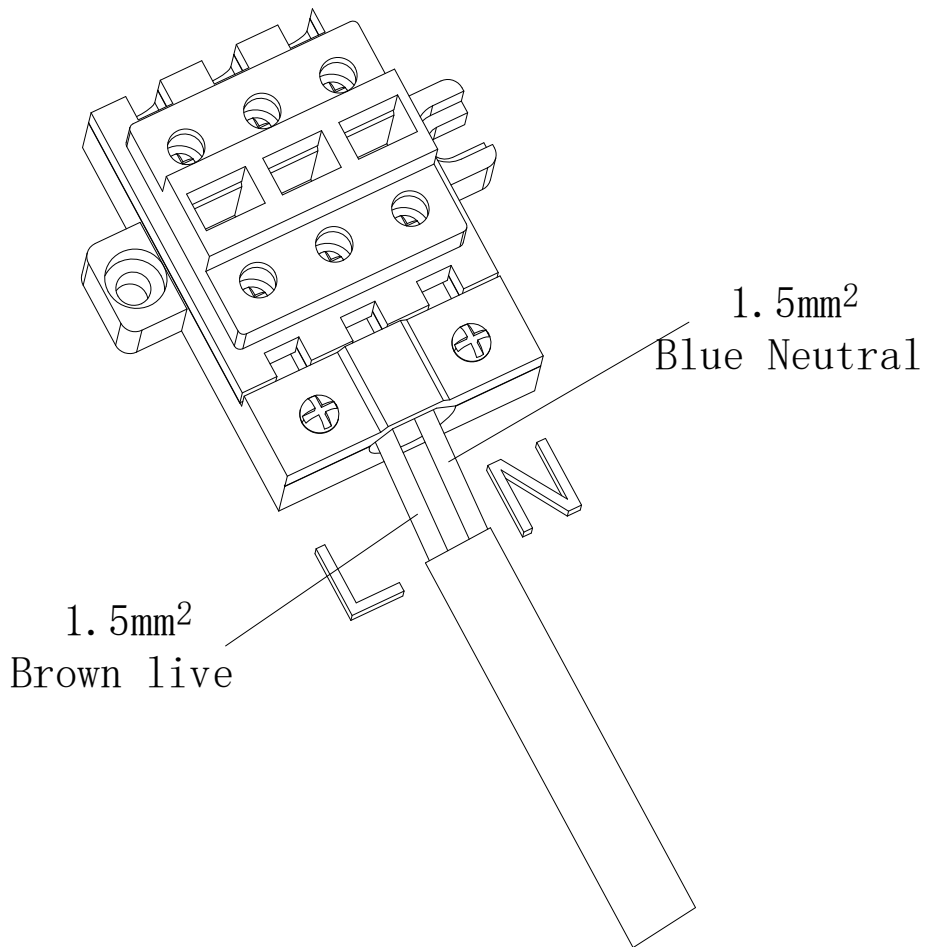


**Fig.7 Hold up the top cover.**



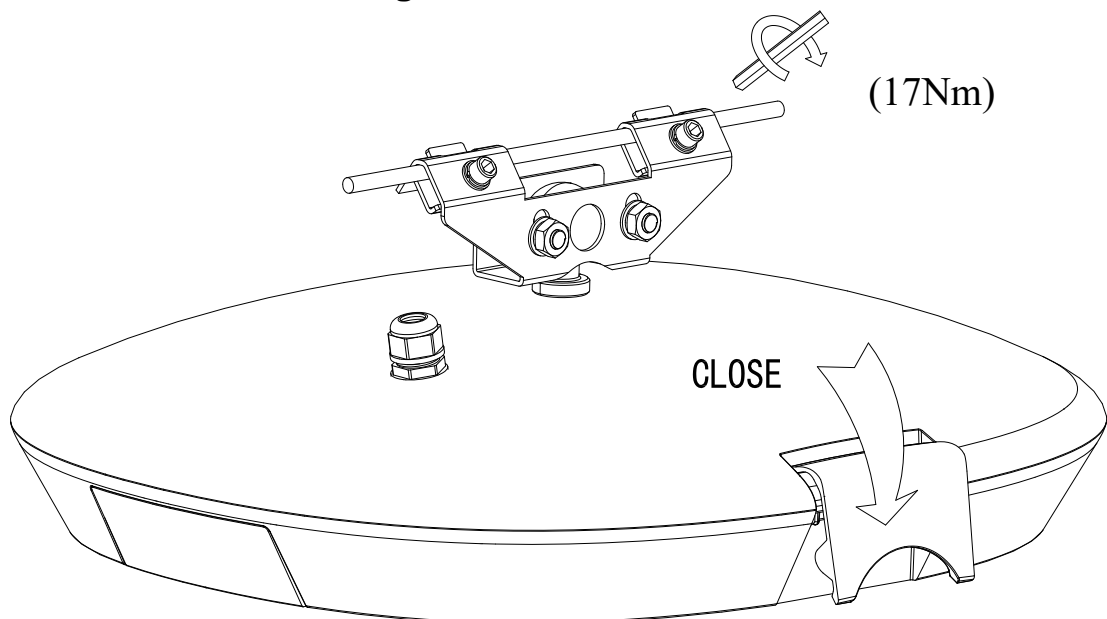
**Fig.8 Insert the wire.**





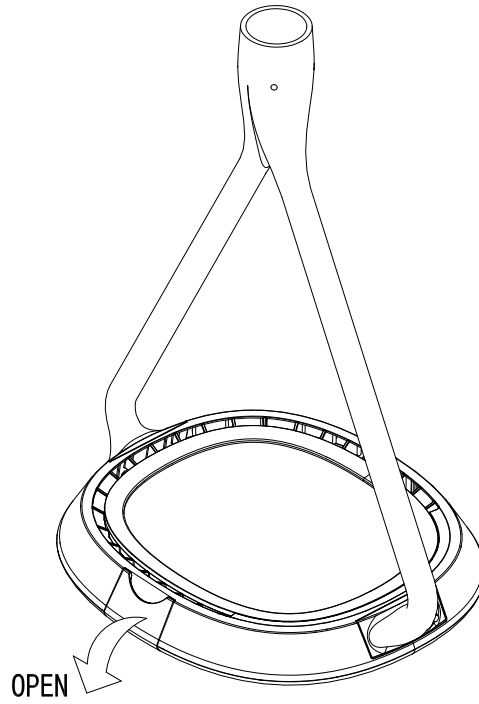
**Attention: The input cable should meet the requirement of 60245 IEC 57.**

**Fig.9 Connect the wire.**

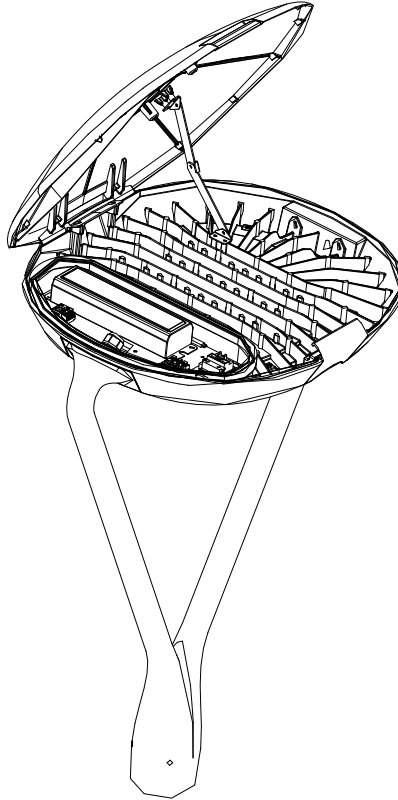


**Fig.10 Close the lock and hang the lighting.**

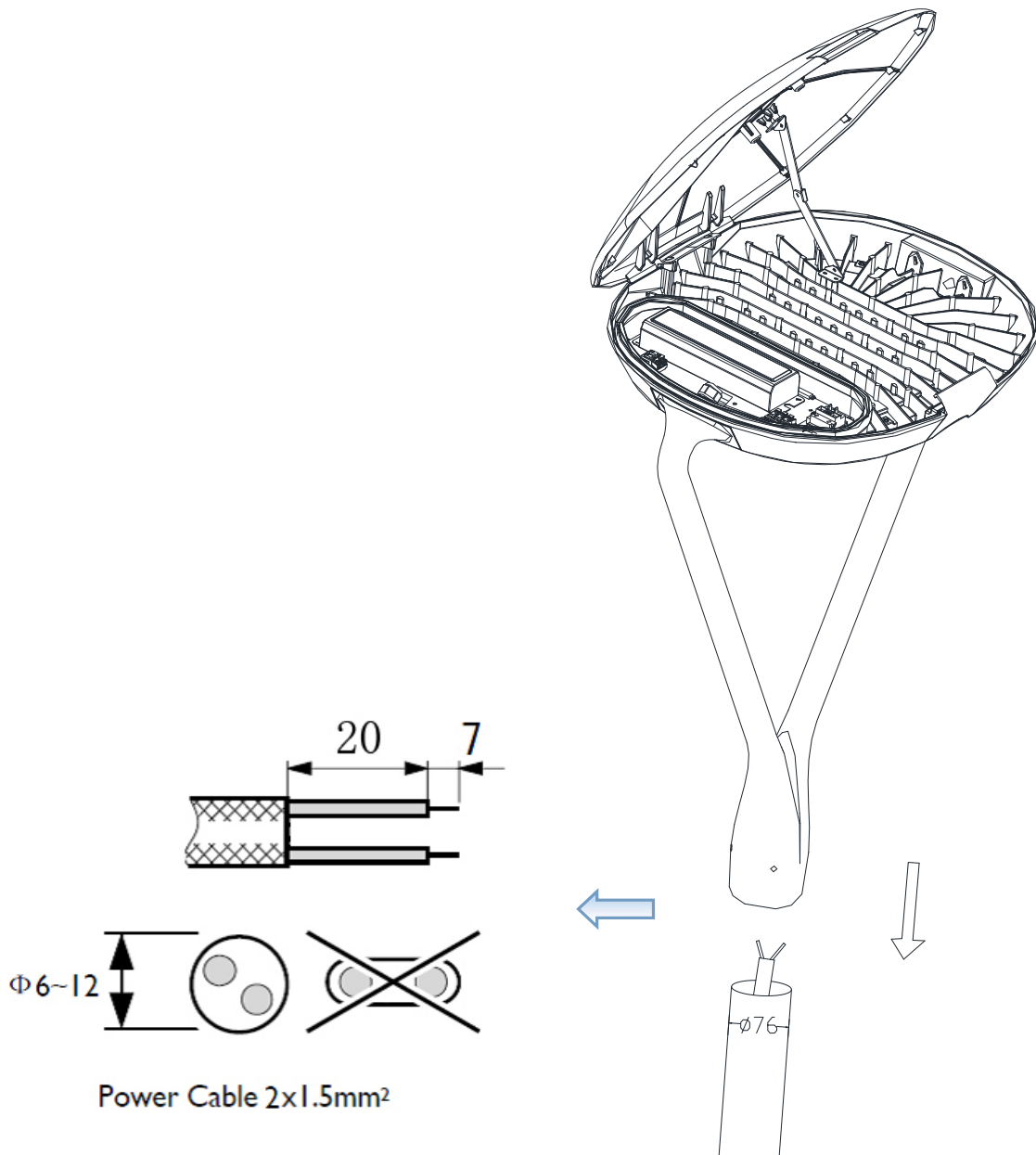
**Type C**



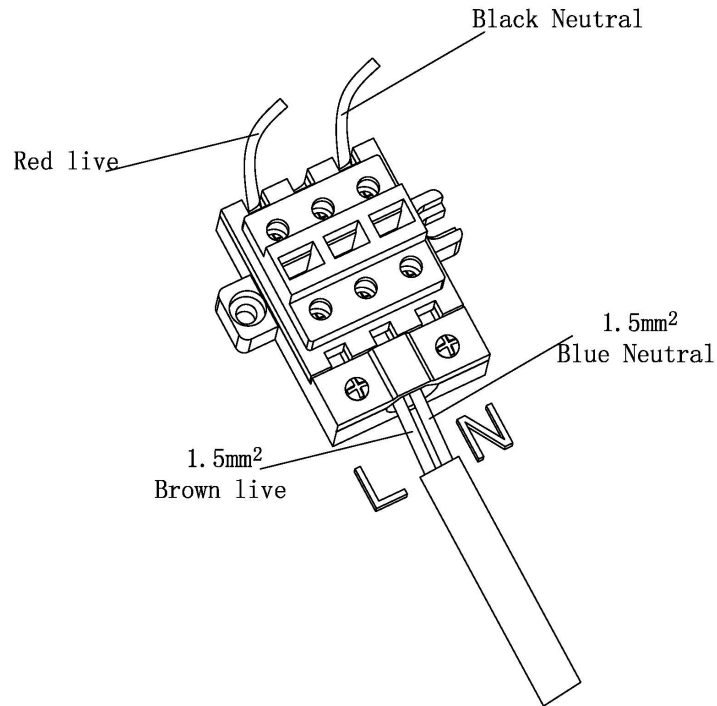
**Fig.1 Open the lock.**



**Fig.2 Hold up the top cover.**

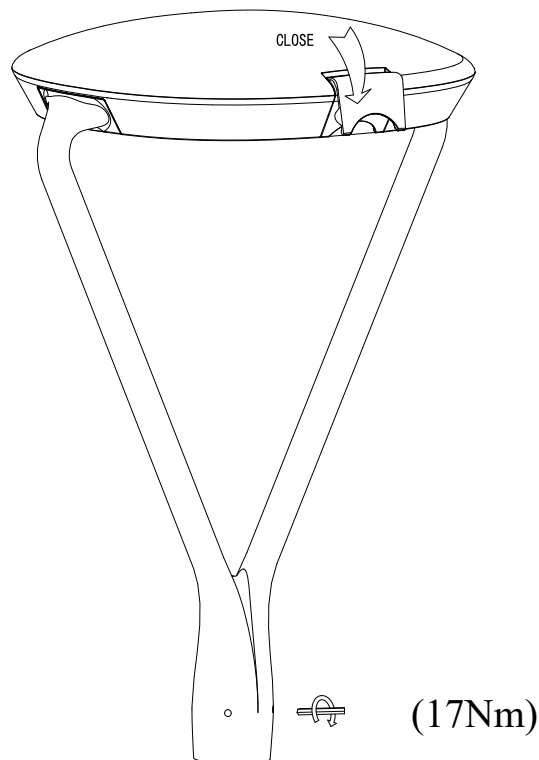


**Fig.3 Insert into the pole (outside diameter: 76mm).**

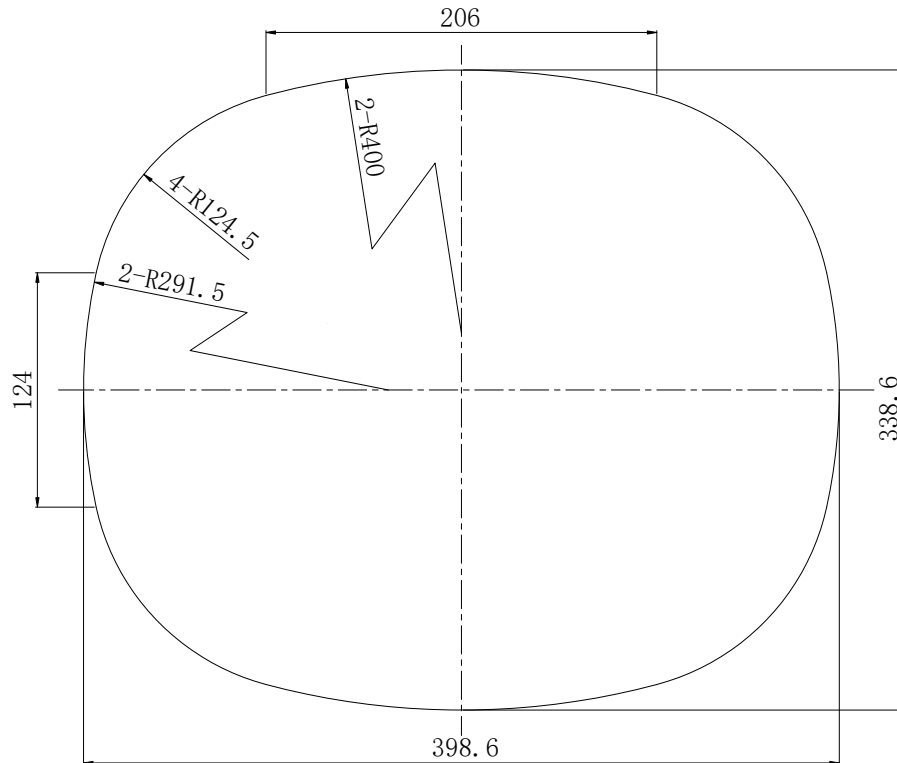


**Attention: The input cable should meet the requirement of 60245 IEC 57.**

**Fig.4 Connect the wire.**



**Fig.5 Close the lock and screw nuts.**



**Fig.6 Glass size.**



1. The lighting should be placed where is cool, dry, clean and not allowed to be placed in the water or closed to fire resource and high temperature place.
2. To make sure the lighting is intact before it is installed and used. Only the authorized electrician can install the lighting, and the wire should be in line with national standards.
3. To lock the wire's fixed head and the screw on the top cover tightly in order to make sure the light is waterproof.
4. Don't switch on the power when connecting the wire.
5. Wiring instructions: The power should be connected to binding post inside the junction box, which IP grade should be higher than the lamp's IP grade. And the junction box should have fastened device for the wires.
6. It is recommended to use a supply box with a minimum IP rating of IP 66. The input cable should be 3 cores and the min cross-sectional area of the conductor should be 1.5 mm<sup>2</sup>. The input cable should meet the requirement of 60245 IEC 57.
7. The thickness of the glass is 4mm. if it is broken, it can be replaced.
8. The light source contained in this luminaire shall only be replaced by the manufacturer or his service agent or a similar qualified person.